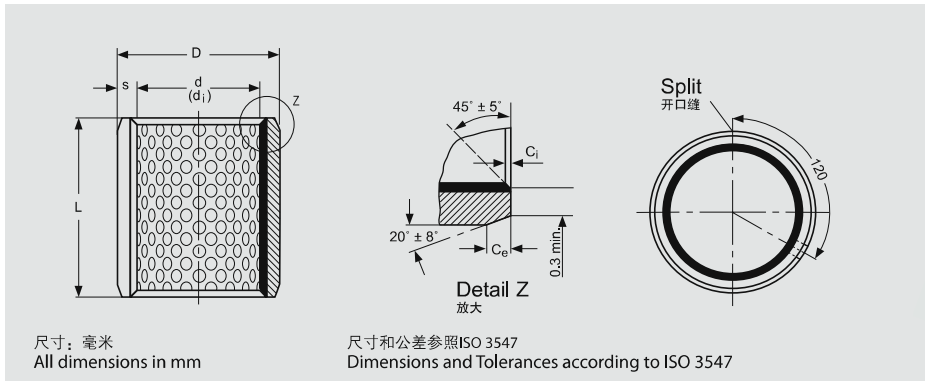




5.14 E90/E92 直套规格及公差 E90/E92 Sleeve Bushing Specification & Tolerance



内外倒角尺寸表 Inside & Outside Chamfers

壁厚 Wall thickness S	内倒角 Inside Chamfer C _i	外倒角 Outside Chamfer C _e
1.00	0.30 ± 0.20	0.60 ± 0.40
1.50	0.40 ± 0.30	0.60 ± 0.40
2.00	0.40 ± 0.30	1.20 ± 0.40
2.50	0.60 ± 0.40	1.80 ± 0.60

直套型号标注方式 Bushing Symbol

直套型号标注方式 Bushing Symbol	E9 - □	× ×	× ×
直套型号 Bushing Type			
直套内径 Bushing I. D.			
直套高度 Bushing Length			

内径 Internal Diameter			外径 External Diameter			高度 Length	型号 Part No
内径 d	装配轴径 Shaft-Φd _s	装配后内孔尺寸 Φd _i (H9)	外径 D	装配座孔 Housing-ΦD _H	理论外径公差 O.D. ΦD _t	ID < 80 L ± 0.25 ID > 80 L ± 0.50	
10	9.984 9.957	10.043 10.000	12	12.018 12.000	+0.065 +0.030	10	E90/E92 1010
						15	E90/E92 1015
						20	E90/E92 1020
12	11.984 11.957	12.043 12.000	14	14.018 14.000		10	E90/E92 1210
						15	E90/E92 1215
						20	E90/E92 1220
14	13.984 13.957	14.043 14.000	16	16.018 16.000		10	E90/E92 1410
						15	E90/E92 1415
						20	E90/E92 1420
15	14.984 14.957	15.043 15.000	17	17.018 17.000		25	E90/E92 1425
						10	E90/E92 1510
						15	E90/E92 1515
16	15.984 15.957	16.043 16.000	18	18.018 18.000	20	E90/E92 1520	
					25	E90/E92 1525	
					10	E90/E92 1610	
16	15.984 15.957	16.043 16.000	18	18.018 18.000	15	E90/E92 1615	
					20	E90/E92 1620	
					25	E90/E92 1625	



内径 Internal Diameter			外径 External Diameter			高度 Length	型号 Part No
内径 d	装配轴径 Shaft- Φd_s	装配后内孔尺寸 Φd_i (H9)	外径 D	装配座孔 Housing- ΦD_H	理论外径公差 O.D. ΦD_t	ID<80 L \pm 0.25 ID>80 L \pm 0.50	
18	17.984 17.957	18.043 18.000	20	20.018 20.000	+0.065 +0.030	10	E90/E92 1810
						15	E90/E92 1815
						20	E90/E92 1820
						25	E90/E92 1825
20	19.980 19.947	20.052 20.000	23	23.021 23.000		10	E90/E92 2010
						15	E90/E92 2015
						20	E90/E92 2020
						25	E90/E92 2025
22	21.980 21.947	22.052 22.000	25	25.021 25.000		10	E90/E92 2210
						15	E90/E92 2215
						20	E90/E92 2220
						25	E90/E92 2225
24	23.980 23.947	24.052 24.000	27	27.021 27.000		30	E90/E92 2230
						15	E90/E92 2415
						20	E90/E92 2420
						25	E90/E92 2425
25	24.980 24.947	25.052 25.000	28	28.021 28.000	+0.075 +0.035	30	E90/E92 2430
						15	E90/E92 2515
						20	E90/E92 2520
						25	E90/E92 2525
28	27.980 27.947	28.052 28.000	32	32.021 32.000		30	E90/E92 2530
						15	E90/E92 2815
						20	E90/E92 2820
						25	E90/E92 2825
30	29.980 29.947	30.052 30.000	34	34.021 34.000		30	E90/E92 2830
						15	E90/E92 3015
						20	E90/E92 3020
						25	E90/E92 3025
32	31.975 31.936	32.062 32.000	36	36.025 36.000	+0.085 +0.045	30	E90/E92 3030
						35	E90/E92 3035
						40	E90/E92 3040
						15	E90/E92 3215
32						20	E90/E92 3220
						25	E90/E92 3225
						30	E90/E92 3230



内径 Internal Diameter			外径 External Diameter			高度 Length	型号 Part No
内径 d	装配轴径 Shaft- Φd_s	装配后内孔尺寸 Φd_i (H9)	外径 D	装配座孔 Housing- ΦD_H	理论外径公差 O.D. ΦD_t	ID<80 L \pm 0.25	
						ID>80 L \pm 0.50	
32	31.975 31.936	32.062 32.000	36	36.025 36.000		35	E90/E92 3235
						40	E90/E92 3240
						50	E90/E92 3250
35	34.975 34.936	35.062 35.000	39	39.025 39.000		15	E90/E92 3515
						20	E90/E92 3525
						25	E90/E92 3525
						30	E90/E92 3530
						35	E90/E92 3535
						40	E90/E92 3540
						50	E90/E92 3550
40	39.975 39.936	40.062 40.000	44	44.025 44.000		20	E90/E92 4020
						25	E90/E92 4025
						30	E90/E92 4030
						35	E90/E92 4035
						40	E90/E92 4040
						50	E90/E92 4050
45	44.975 44.936	45.062 45.000	50	50.025 50.000		20	E90/E92 4520
						25	E90/E92 4525
						30	E90/E92 4530
						35	E90/E92 4535
						40	E90/E92 4540
						50	E90/E92 4550
						60	E90/E92 4560
50	49.975 49.936	50.062 50.000	55	55.025 55.000		20	E90/E92 5020
						25	E90/E92 5025
						30	E90/E92 5030
						35	E90/E92 5035
						40	E90/E92 5040
						50	E90/E92 5050
						60	E90/E92 5060
						70	E90/E92 5070
55	54.970 54.924	55.074 55.000	60	60.030 60.000		20	E90/E92 5520
						25	E90/E92 5525
						30	E90/E92 5530
						35	E90/E92 5535
						40	E90/E92 5540
						50	E90/E92 5550
60	E90/E92 5560						



内径 Internal Diameter			外径 External Diameter			高度 Length	型号 Part No
内径 d	装配轴径 Shaft- Φd_s	装配后内孔尺寸 Φd_i (H9)	外径 D	装配座孔 Housing- ΦD_H	理论外径公差 O.D. ΦD_t	ID<80 L \pm 0.25 ID>80 L \pm 0.50	
60	59.970 59.924	60.074 60.000	65	65.030 65.000		25	E90/E92 6025
						30	E90/E92 6030
						35	E90/E92 6035
						40	E90/E92 6040
						50	E90/E92 6050
						60	E90/E92 6060
						70	E90/E92 6070
65	64.970 64.924	65.074 65.000	70	70.030 70.000		30	E90/E92 6530
						35	E90/E92 6535
						40	E90/E92 6540
						50	E90/E92 6550
						60	E90/E92 6560
						70	E90/E92 6570
						80	E90/E92 6580
70	69.970 69.924	70.074 70.000	75	75.030 75.000	+0.100 +0.055	30	E90/E92 7030
						35	E90/E92 7035
						40	E90/E92 7040
						50	E90/E92 7050
						60	E90/E92 7060
						70	E90/E92 7070
						80	E90/E92 7080
75	74.970 74.924	75.074 75.000	80	80.030 80.000		30	E90/E92 7530
						35	E90/E92 7535
						40	E90/E92 7540
						50	E90/E92 7550
						60	E90/E92 7560
						70	E90/E92 7570
						80	E90/E92 7580
80	79.970 79.924	80.074 80.000	85	85.030 85.000		30	E90/E92 8030
						35	E90/E92 8035
						40	E90/E92 8040
						50	E90/E92 8040
						60	E90/E92 8060
						70	E90/E92 8070
						80	E90/E92 8080



内径 Internal Diameter			外径 External Diameter			高度 Length	型号 Part No
内径 d	装配轴径 Shaft- Φd_s	装配后内孔尺寸 Φd_i (H9)	外径 D	装配座孔 Housing- ΦD_H	理论外径公差 O.D. ΦD_t	ID<80 L \pm 0.25	
						ID>80 L \pm 0.50	
85	84.964 84.910	85.087 85.000	90	90.035 90.000		30	E90/E92 8530
						35	E90/E92 8535
						40	E90/E92 8540
						50	E90/E92 8550
						60	E90/E92 8560
						70	E90/E92 8570
						80	E90/E92 8580
						90	E90/E92 8590
90	89.964 89.910	90.087 90.000	95	95.035 95.000		30	E90/E92 9030
						35	E90/E92 9035
						40	E90/E92 9040
						50	E90/E92 9050
						60	E90/E92 9060
						70	E90/E92 9070
						80	E90/E92 9080
						90	E90/E92 9090
95	94.964 94.910	95.087 95.000	100	100.035 100.000	+0.120 +0.070	40	E90/E92 9540
						50	E90/E92 9550
						60	E90/E92 9560
						70	E90/E92 9570
						80	E90/E92 9580
						90	E90/E92 9590
						100	E90/E92 95100
						100	99.964 99.910
60	E90/E92 10060						
70	E90/E92 10070						
80	E90/E92 10080						
90	E90/E92 10090						
100	E90/E92 100100						
105	104.964 104.910	105.087 105.000	110	110.035 110.000		50	E90/E92 10550
						60	E90/E92 10560
						70	E90/E92 10570
						80	E90/E92 10580
						90	E90/E92 10590
						100	E90/E92 105100



内径 Internal Diameter			外径 External Diameter			高度 Length	型号 Part No
内径 d	装配轴径 Shaft- Φd_s	装配后内孔尺寸 Φd_i (H9)	外径 D	装配座孔 Housing- ΦD_H	理论外径公差 O.D. ΦD_t	ID<80 L \pm 0.25 ID>80 L \pm 0.50	
110	109.964 109.910	110.087 110.000	115	115.035 115.000		50	E90/E92 11050
						60	E90/E92 11060
						70	E90/E92 11070
						80	E90/E92 11080
						90	E90/E92 11090
						100	E90/E92 110100
115	114.964 114.910	115.087 115.000	120	120.035 120.000	+0.120 +0.070	50	E90/E92 11550
						60	E90/E92 11560
						70	E90/E92 11570
						80	E90/E92 11580
						90	E90/E92 11590
						100	E90/E92 115100
120	119.964 119.910	120.087 120.000	125	125.035 125.000		60	E90/E92 12060
						70	E90/E92 12070
						80	E90/E92 12080
						90	E90/E92 12090
125	124.957 124.894	125.100 125.000	130	130.040 130.000		100	E90/E92 120100
						60	E90/E92 12560
						70	E90/E92 12570
						80	E90/E92 12580
130	129.957 129.894	130.100 130.000	135	135.040 135.000		90	E90/E92 12590
						100	E90/E92 125100
						60	E90/E92 13060
						70	E90/E92 13070
135	134.957 134.894	135.100 135.000	140	140.040 140.000	+0.170 +0.100	80	E90/E92 13080
						90	E90/E92 13090
						100	E90/E92 130100
						60	E90/E92 13560
140	139.957 139.894	140.100 140.000	145	145.040 145.000		70	E90/E92 13570
						80	E90/E92 13580
						90	E90/E92 13590
						100	E90/E92 135100
140	139.957 139.894	140.100 140.000	145	145.040 145.000		60	E90/E92 14060
						70	E90/E92 14070
						80	E90/E92 14080



内径 Internal Diameter			外径 External Diameter			高度 Length	型号 Part No
内径 d	装配轴径 Shaft- Φd_s	装配后内孔尺寸 Φd_i (H9)	外径 D	装配座孔 Housing- ΦD_H	理论外径公差 O.D. ΦD_t	ID<80 L \pm 0.25	
						ID>80 L \pm 0.50	
140	139.957 139.894	140.100 140.000	145	145.040 145.000		90	E90/E92 14090
						95	E90/E92 14095
						100	E90/E92 140100
145	144.957 144.894	145.100 145.000	150	150.040 150.000		60	E90/E92 14560
						70	E90/E92 14570
						80	E90/E92 14580
						90	E90/E92 14590
150	149.957 149.894	150.100 150.000	155	155.040 155.000		100	E90/E92 145100
						60	E90/E92 15060
						70	E90/E92 15070
						80	E90/E92 15080
155	154.957 154.894	155.100 155.000	160	160.040 160.000		90	E90/E92 15090
						100	E90/E92 150100
						60	E90/E92 15560
						70	E90/E92 15570
160	159.957 159.894	160.100 160.000	165	165.040 165.000		80	E90/E92 15580
						90	E90/E92 15590
						100	E90/E92 155100
						60	E90/E92 16060
165	164.957 164.894	165.100 165.000	170	170.040 170.000		70	E90/E92 16070
						80	E90/E92 16080
						90	E90/E92 16090
						100	E90/E92 160100
170	169.957 169.894	170.100 170.000	175	175.040 175.000		60	E90/E92 16560
						70	E90/E92 16570
						80	E90/E92 16580
						90	E90/E92 16590
175	174.957 174.894	175.100 175.000	180	180.040 180.000		100	E90/E92 165100
						60	E90/E92 17060
						70	E90/E92 17070
						80	E90/E92 17080
						90	E90/E92 17090
						100	E90/E92 170100
						60	E90/E92 17560
						70	E90/E92 17570



内径 Internal Diameter			外径 External Diameter			高度 Length	型号 Part No
内径 d	装配轴径 Shaft- Φd_s	装配后内孔尺寸 Φd_i (H9)	外径 D	装配座孔 Housing- ΦD_H	理论外径公差 O.D. ΦD_t	ID<80 L \pm 0.25 ID>80 L \pm 0.50	
175	174.957 174.894	175.100 175.000	180	180.040 180.000		80	E90/E92 17580
						85	E90/E92 17585
						90	E90/E92 17590
						100	E90/E92 175100
180	179.957 179.894	180.100 180.000	185	185.040 185.000	+0.170 +0.100	60	E90/E92 18060
						70	E90/E92 18070
						80	E90/E92 18080
						90	E90/E92 18090
185	184.950 184.878	185.115 185.000	190	190.046 190.000		100	E90/E92 180100
						60	E90/E92 18560
						65	E90/E92 18565
						70	E90/E92 18570
190	189.950 189.878	190.115 190.000	195	195.046 195.000		80	E90/E92 18580
						90	E90/E92 18590
						100	E90/E92 185100
						60	E90/E92 18560
195	194.950 194.878	195.115 195.000	200	200.046 200.000	+0.210 +0.130	70	E90/E92 19060
						80	E90/E92 19070
						90	E90/E92 19080
						100	E90/E92 19090
200	199.950 199.878	200.115 200.000	205	205.046 205.000		100	E90/E92 190100
						60	E90/E92 19560
						70	E90/E92 19570
						80	E90/E92 19580
205	204.950 204.878	205.115 205.000	210	210.046 210.000		90	E90/E92 19590
						100	E90/E92 195100
						60	E90/E92 20060
						70	E90/E92 20070
200	199.950 199.878	200.115 200.000	205	205.046 205.000		80	E90/E92 20080
						90	E90/E92 20090
						100	E90/E92 200100
						60	E90/E92 20560
205	204.950 204.878	205.115 205.000	210	210.046 210.000		70	E90/E92 20570
						80	E90/E92 20580
						90	E90/E92 20590
						100	E90/E92 205100



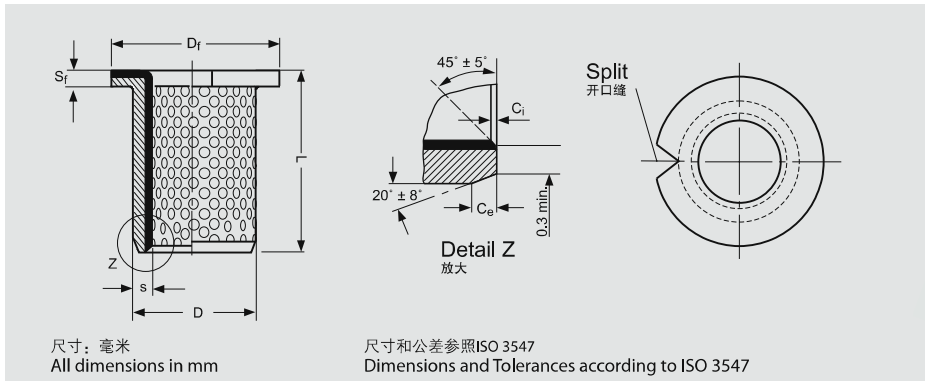
内径 Internal Diameter			外径 External Diameter			高度 Length	型号 Part No
内径 d	装配轴径 Shaft- Φd_s	装配后内孔尺寸 $\Phi d_i(H9)$	外径 D	装配座孔 Housing- ΦD_H	理论外径公差 O.D. ΦD_t	ID<80 L \pm 0.25	
						ID>80 L \pm 0.50	
215	214.950 214.878	215.115 215.000	220	220.046 220.000		60	E90/E92 21560
						70	E90/E92 21570
						80	E90/E92 21580
						90	E90/E92 21590
						100	E90/E92 215100
225	224.950 224.878	225.115 225.000	230	230.046 230.000		60	E90/E92 22560
						70	E90/E92 22570
						80	E90/E92 22580
						90	E90/E92 22590
						100	E90/E92 225100
230	229.950 229.878	230.115 230.000	235	235.046 235.000	+0.210 +0.130	60	E90/E92 23060
						70	E90/E92 23070
						80	E90/E92 23080
						90	E90/E92 23090
						100	E90/E92 230100
240	239.950 239.878	240.115 240.000	245	245.046 245.000		60	E90/E92 24060
						70	E90/E92 24070
						80	E90/E92 24080
						90	E90/E92 24090
						100	E90/E92 240100
250	249.950 249.878	250.115 250.000	255	255.046 255.000		60	E90/E92 25060
						70	E90/E92 25070
						80	E90/E92 25080
						90	E90/E92 25090
						100	E90/E92 250100
260	259.944 259.863	260.130 260.000	265	265.052 265.000		60	E90/E92 26060
						70	E90/E92 26070
						80	E90/E92 26080
						90	E90/E92 26090
						100	E90/E92 260100
270	269.944 269.863	270.130 270.000	275	275.052 275.000	+0.260 +0.170	60	E90/E92 27060
						70	E90/E92 27070
						80	E90/E92 27080
						90	E90/E92 27090
						100	E90/E92 270100



内径 Internal Diameter			外径 External Diameter			高度 Length	型号 Part No
内径 d	装配轴径 Shaft- Φd_s	装配后内孔尺寸 Φd_i (H9)	外径 D	装配座孔 Housing- ΦD_H	理论外径公差 O.D. ΦD_t	ID<80 L \pm 0.25 ID>80 L \pm 0.50	
280	279.944 279.863	280.130 280.000	285	285.052 285.000		60	E90/E92 28060
						70	E90/E92 28070
						80	E90/E92 28080
						90	E90/E92 28090
						100	E90/E92 280100
290	289.944 289.863	290.130 290.000	295	295.052 295.000	+0.260 +0.170	60	E90/E92 29060
						70	E90/E92 29070
						80	E90/E92 29080
						90	E90/E92 29090
						100	E90/E92 290100
300	299.944 289.863	300.130 300.000	305	305.052 305.000		60	E90/E92 30060
						70	E90/E92 30070
						80	E90/E92 30080
						90	E90/E92 30090
						100	E90/E92 300100



5.15 E90/E92 翻边规格及公差 E90/E92 Flange Bushing Specification & Tolerance



内外倒角尺寸表 Inside & Outside Chamfers

壁厚 Wall thickness S	内倒角 Inside Chamfer C _i	外倒角 Outside Chamfer C _e
1.00	0.30 ± 0.20	0.60 ± 0.40
1.50	0.40 ± 0.30	0.60 ± 0.40
2.00	0.40 ± 0.30	1.20 ± 0.40
2.50	0.60 ± 0.30	1.80 ± 0.60

翻边型号标注方式 Bushing Symbol

直套型号标注方式 Bushing Symbol	E9F - □	× ×	× ×
直套型号 Bushing Type			
直套内径 Bushing I. D.			
直套高度 Bushing Length			

内径 Internal Diameter			外径 External Diameter			法兰外径 Flang Φ D _f	高度 Length ID < 80 L ± 0.25 ID > 80 L ± 0.50	型号 Part No
内径 d	装配轴径 Shaft-Φ d _s	装配后内孔尺寸 Φ d _i (H9)	外径 D	装配座孔 Housing-Φ D _H	理论外径公差 O.D. Φ D _t			
25	24.980 24.947	25.052 25.000	28	28.021 28.000	+0.075 +0.035	35	15	E90F/E92F 2515
							20	E90F/E92F 2520
							25	E90F/E92F 2525
30	29.980 29.947	30.052 30.000	34	34.021 34.000	+0.075 +0.035	45	20	E90F/E92F 3020
							25	E90F/E92F 3025
							20	E90F/E92F 3020
35	34.975 34.936	35.062 35.000	39	39.025 39.000	+0.075 +0.035	50	20	E90F/E92F 3520
							25	E90F/E92F 3525
							30	E90F/E92F 3530
							35	E90F/E92F 3535
40	39.975 39.936	40.062 40.000	44	44.025 44.000	+0.085 +0.045	55	25	E90F/E92F 4025
							30	E90F/E92F 4030
							35	E90F/E92F 4035
							40	E90F/E92F 4040
45	44.975 44.936	45.062 45.000	50	50.025 50.000	+0.085 +0.045	60	30	E90F/E92F 4530
							35	E90F/E92F 4535
							40	E90F/E92F 4540
							50	E90F/E92F 4550



内径 Internal Diameter			外径 External Diameter			法兰外径 Flang ΦD_f	高度 Length	型号 Part No
内径 d	装配轴径 Shaft- Φd_s	装配后内孔尺寸 $\Phi d_i(H9)$	外径 D	装配座孔 Housing- ΦD_H	理论外径公差 O.D. ΦD_t		ID<80 L \pm 0.25	
							ID>80 L \pm 0.50	
50	49.975 49.936	50.062 50.000	55	55.025 55.000	+0.085 +0.045	65	30	E90F/E92F 5030
							35	E90F/E92F 5035
							40	E90F/E92F 5040
							50	E90F/E92F 5050
55	54.970 54.924	55.074 55.000	60	60.030 60.000		70	30	E90F/E92F 5530
							35	E90F/E92F 5535
							40	E90F/E92F 5540
							50	E90F/E92F 5550
60	59.970 59.924	60.074 60.000	65	65.030 65.000		75	30	E90F/E92F 6030
							35	E90F/E92F 6035
							40	E90F/E92F 6040
							50	E90F/E92F 6050
							60	E90F/E92F 6060
65	64.970 64.924	65.074 65.000	70	70.030 70.000		80	30	E90F/E92F 6530
							35	E90F/E92F 6535
							40	E90F/E92F 6540
							50	E90F/E92F 6550
							60	E90F/E92F 6560
70	69.970 69.924	70.074 70.000	75	75.030 75.000	+0.100 +0.055	85	35	E90F/E92F 7035
							40	E90F/E92F 7040
							50	E90F/E92F 7050
							60	E90F/E92F 7060
							70	E90F/E92F 7070
75	74.970 74.924	75.074 75.000	80	80.030 80.000		90	35	E90F/E92F 7535
							40	E90F/E92F 7540
							50	E90F/E92F 7550
							60	E90F/E92F 7560
							70	E90F/E92F 7570
80	79.970 79.924	80.074 80.000	85	85.030 85.000		100	40	E90F/E92F 8040
							50	E90F/E92F 8050
							60	E90F/E92F 8060
							70	E90F/E92F 8070
							80	E90F/E92F 8080
90	89.964 89.910	90.087 90.000	100	100.035 100.000	+0.120 +0.070	110	50	E90F/E92F 9050
							60	E90F/E92F 9060



内径 Internal Diameter			外径 External Diameter			法兰外径 Flang ΦD_f	高度 Length	型号 Part No
内径 d	装配轴径 Shaft- Φd_s	装配后内孔尺寸 $\Phi d_i(H9)$	外径 D	装配座孔 Housing- ΦD_H	理论外径公差 O.D. ΦD_t		ID<80 L ± 0.25	
						ID>80 L ± 0.50		
95	94.964 94.910	95.087 95.000	100	100.035 100.000		115	70	EAJ 9070
							80	EAJ 9080
							90	EAJ 9090
100	99.964 99.910	100.087 100.000	105	105.035 105.000		120	50	EAJ 10050
							60	EAJ 10060
							70	EAJ 10070
							80	EAJ 10080
							90	EAJ 10090
110	109.964 109.910	110.087 110.000	115	115.035 110.000	+0.120 +0.070	130	50	EAJ 11050
							60	EAJ 11060
							70	EAJ 11070
							80	EAJ 11080
							90	EAJ 11090
120	119.964 119.910	120.087 120.000	125	125.035 125.000		140	60	EAJ 12060
							70	EAJ 12070
							80	EAJ 12080
							90	EAJ 12090
130	129.957 129.894	130.100 130.000	135	135.040 135.000		155	60	EAJ 13060
							70	EAJ 13070
							80	EAJ 13080
							90	EAJ 13090
140	139.957 139.894	140.100 140.000	145	145.040 145.000		165	60	EAJ 14060
							70	EAJ 14070
							80	EAJ 14080
							90	EAJ 14090
150	149.957 149.894	150.100 150.000	155	155.040 155.000	+0.170 +0.100	180	60	EAJ 15060
							70	EAJ 15070
							80	EAJ 15080
							90	EAJ 15090
160	159.957 159.894	160.100 160.000	165	165.040 165.000		190	60	EAJ 16060
							70	EAJ 16070
							80	EAJ 16080
							90	EAJ 16090
170	169.957 169.894	170.100 170.000	175	175.040 175.000		200	60	EAJ 17060
							70	EAJ 17070



内径 Internal Diameter			外径 External Diameter			法兰外径 Flang ΦD_f	高度 Length	型号 Part No
内径 d	装配轴径 Shaft- Φd_s	装配后内孔尺寸 $\Phi d_i(H9)$	外径 D	装配座孔 Housing- ΦD_H	理论外径公差 O.D. ΦD_t		ID<80 L \pm 0.25	
							ID>80 L \pm 0.50	
170	169.957 169.894	170.100 170.000	175	175.040 175.000		200	80	EAF 17080
							90	EAF 17090
180	179.957 179.894	180.100 180.000	185	185.040 185.000	+0.170 +0.100	215	60	EAF 18060
							70	EAF 18070
							80	EAF 18080
							90	EAF 18090
190	189.950 189.878	190.115 190.000	195	195.046 195.000		225	60	EAF 19060
							70	EAF 19070
							80	EAF 19080
							90	EAF 19090
200	199.950 199.878	200.115 200.000	205	205.046 205.000		235	60	EAF 20060
							70	EAF 20070
							80	EAF 20080
							90	EAF 20090
225	224.950 224.878	225.115 225.000	230	230.046 230.000	+0.210 +0.130	260	60	EAF 22560
							70	EAF 22570
							80	EAF 22580
							90	EAF 22590
250	249.950 249.878	250.115 250.000	255	255.046 255.000		290	60	EAF 25060
							70	EAF 25070
							80	EAF 25080
							90	EAF 25090
265	264.944 264.863	265.130 265.000	270	270.052 270.000		305	60	EAF 26560
							70	EAF 26570
							80	EAF 26580
							90	EAF 26590
285	284.944 284.863	285.130 285.000	290	290.052 290.000	+0.260 +0.170	325	60	EAF 28560
							70	EAF 28570
							80	EAF 28580
							90	EAF 28590
300	299.944 299.863	300.130 300.000	305	305.052 305.000		340	60	EAF 30060
							70	EAF 30070
							80	EAF 30080
							90	EAF 30090